

Marcopia Round 2 - #3013



6W



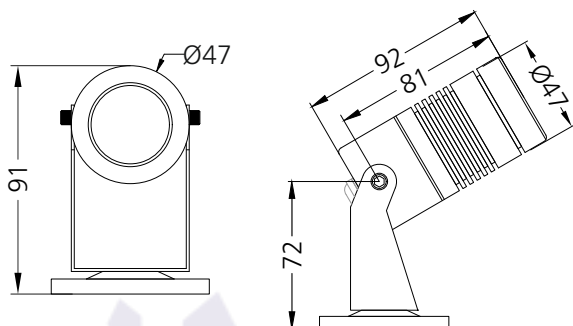
558lm



3000K

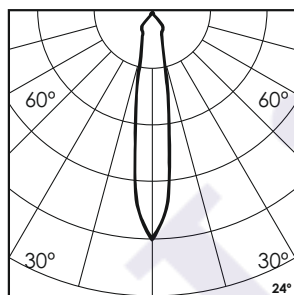


24°



Photometric Data

Light source	LED - Array	Light output ratio	74%
Power (W)	6W	Color rendering index (Ra)	>95
Delivered lumens	558lm	Color rendering index (R9)	>85
Source lumens	750lm	Binning MacAdam	<3 SDCM
Colour temperature (K)	3000K	LED life	L90 B10 Tj75°C
Luminaire efficacy	93.14lm/W	UGR	<19
Beam angle	24°	Operating temperature	-20°C to +50°C
Cutoff angle	NA	Light distribution	Direct - Symmetric

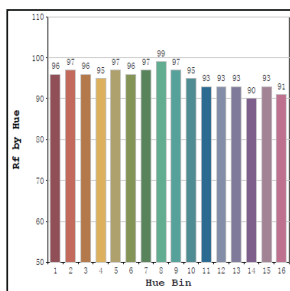


Technical Data

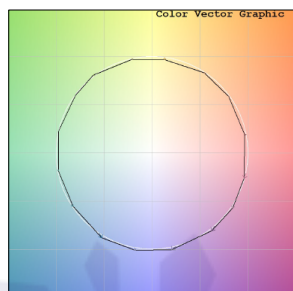
Mounting detail	Surface Uplighter	Heatsink material	Diecast alm.
Fixing detail	Cowl / Spike / Tree Strap / Mounting Plate	Product weight	373gms
Orientation	Adjustable	Safety class	III
IP rating	IP65	Insulation class	III
IK rating	IK05	Voltage	AC230V / DC24V
Glow wire test	850°	Driver	In-built - AC230V Remote - DC24V

Photometric Graphs

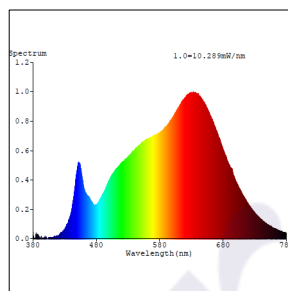
Hue Bin vs Rf Graph



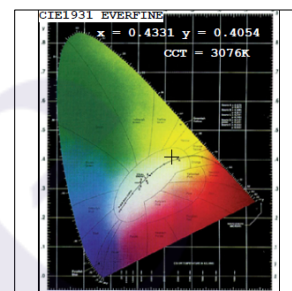
Color Vector Graph



Spectrum vs Wavelength Graph



CIE Chromaticity Graph



Finish Options

Body Finish

- Matt Grey
- Matt Black
- Custom RAL Color

Filter Options



Honeycomb Filter

Above filters can be added to the fixture and need to be ordered as a separate accessory

Accessories Options



Cowl



Spike



Tree Strap

Above accessories can be added to the fixture and need to be ordered as a separate accessory

Dimming Options



Constant Voltage Driver
75w DC24V
Non Dimmable



Constant Voltage Driver
75w DC24V
Triac Dimmable



Constant Voltage Driver
75w DC24V
Analog 0-10V / 1-10V Dimmable



Constant Voltage Driver
75w DC24V
Dali Dimmable

L'azure constantly strives to improve our products using the latest technological advancements in the industry.
Due to which the data mentioned in the data sheet is subject to change without prior notice.