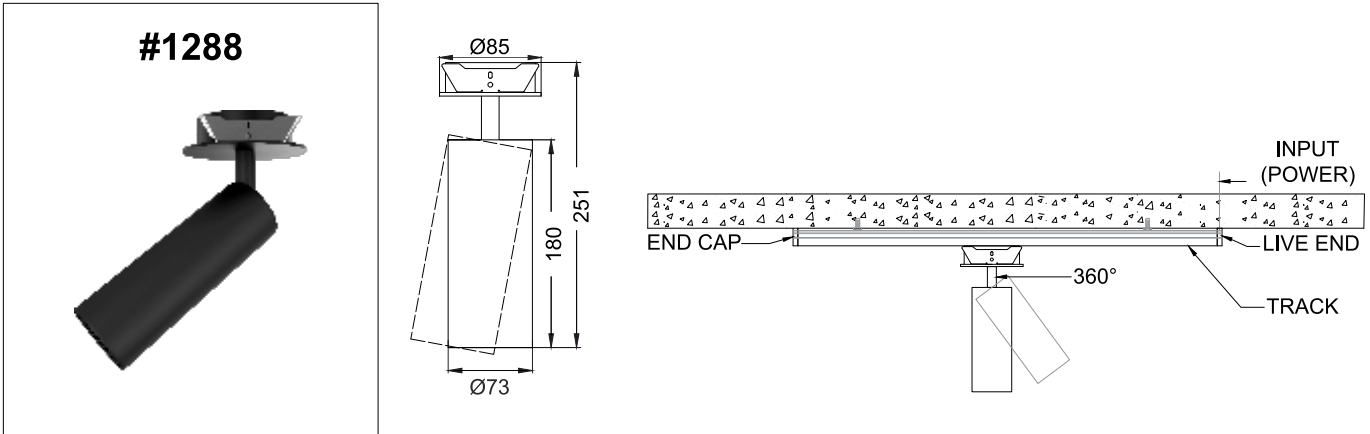


TRINSIC RECESSED L



	<p>Class III 220-240 V~50/60Hz</p>	<p>Power 25 Watts</p>	<p>IP Rating IP20</p>
--	-----------------------------------------------	----------------------------------	----------------------------------

CAUTION - Must Be Installed By A Licensed Electrician Only.

1. Please read the instructions for the installation of fixture provided below. Warranty will be void unless followed.
2. The installation and operation of this fixture must be in accordance with the national safety regulations. L'azure is not liable when damage is caused due to improper installation.
3. Please read the detailed product specification sheet available at www.lazurelighting.com for any technical information regarding the fixture.
4. Over-voltage protection units should be installed in order to prevent electronic and electrical components from failing due to voltage spikes.

STEP 1

RECESSED TRACK
SURFACE TRACK
SUSPENDED TRACK

TURN OFF THE SWITCH

TURN OFF THE ELECTRICITY AT THE MAIN ELECTRICAL PANEL

STEP 2

INSTALL THE TRACK AS REQUIRED

STEP 3

CONNECT THE MAINS CABLE TO THE TRACK INPUT (LIVE END)

STEP 4

PUSH OFF
ON

TRACK
INPUT (POWER)

PUSH THE END CAP
PUSH TO ON

CONNECT THE FIXTURE TO THE TRACK AND LOCK THE FIXTURE

STEP 5

INPUT (POWER)

END CAP
TRACK
TWIST
PUSH THE LIVE END

FIX THE END CAPS OF THE TRACK

STEP 6

TURN ON THE SWITCH

INPUT (POWER)

END CAP
TRACK
LIVE END

TILT, ROTATE AND AIM AS REQUIRED
THE FIXTURE IS INSTALLED

Disclaimer : 1. Due to continuous product improvement the installation method is subject to change.
2. Images and procedures are for representation and reference purpose only.