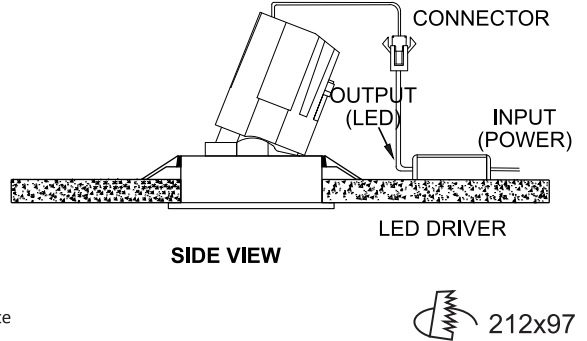
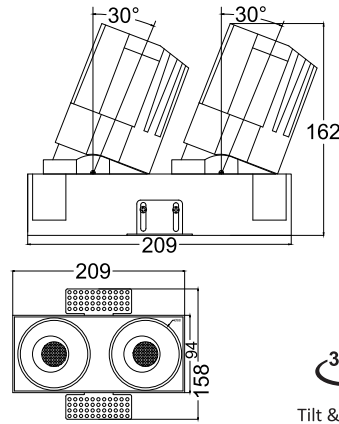


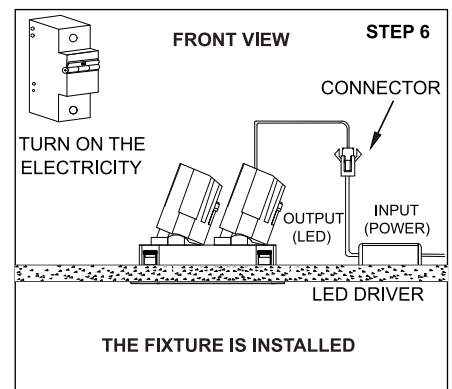
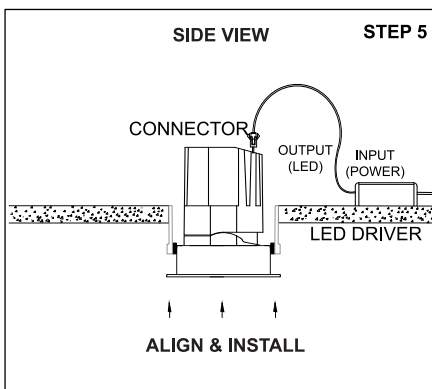
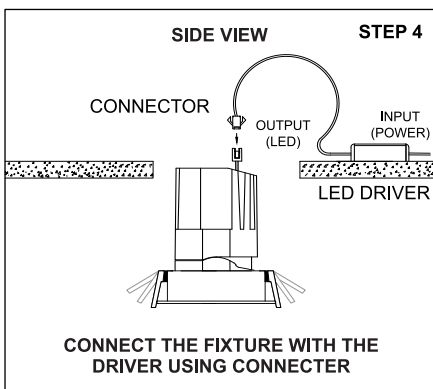
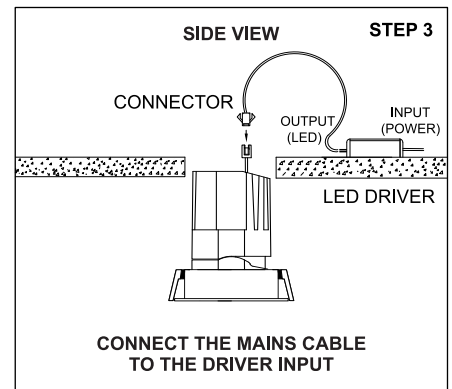
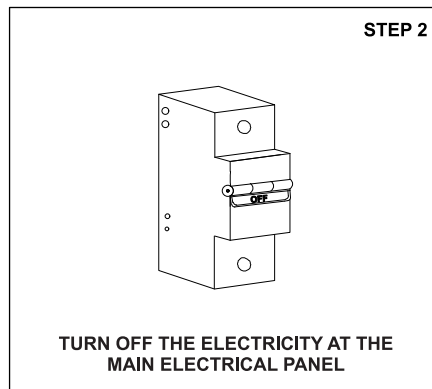
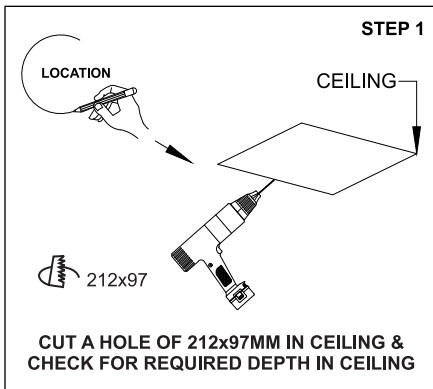
# TENACE TRIMLESS FRAME LA



	<p><b>Class III</b> 220-240 V~50/60Hz</p>	<p><b>Power</b> 2x25 Watts / 2x30 Watts</p>	<p><b>IP Rating</b> IP65</p>
--	---	---	----------------------------------

**CAUTION** - Must Be Installed By A Licensed Electrician Only.

- Please read the instructions for the installation of fixture provided below. Warranty will be void unless followed.
- The installation and operation of this fixture must be in accordance with the national safety regulations. L'azure is not liable when damage is caused due to improper installation.
- Please read the detailed product specification sheet available at [www.lazureworldwide.com](http://www.lazureworldwide.com) for any technical information regarding the fixture.
- Over-voltage protection units should be installed in order to prevent electronic and electrical components from failing due to electrical spikes.



**Disclaimer** : 1. Due to continuous product improvement the installation method is subject to change.  
2. Images and procedures are for representation and reference purpose only.